

PoE IP Camera Enclosure

World's First True IEEE-802.3af PoE Enclosure
Cisco 5000 Series Cameras

Single Cable Install for Ethernet & Power

**Designed for Network (IP)
Cameras**

**All Die-Cast Aluminum
Construction**

7" Dome

Plug-n-Play

IEEE-802.3af PoE (48vdc)

**Camera/Heater/Fan powered via PoE
IP66 / NEMA 4x rating**



The PoE-H-HB-D-C Camera Enclosure is designed for Dome of 5000 series PoE camera quick mount bracket allows simple installation. A single Cat5/Cat6 cable can easy provided both Power and Ethernet Data, allowing for quick and easy installation, reducing overall cost. Standard features includes wall mount, protective shroud, heater and fan, pre-terminated RJ45 cable.

A simple Plug-n-Play PoE IP product.

Electrical/Network

48 vDC using Power-over-Ethernet
4 watts Heater Standard 802.3af
1 watts power consumption Blower
Heater On: 5c (41f) Off: 15c (59f)
Blower On: 40c(104f) Off: 25c(77f)
Pre-Terminated RJ45 Connectors
10/100 Mbs Ethernet

General

Industrial Aluminum Construction (2.54mm wall)
Grey Polyester Powder Coat
10mm Protective Gasket
4.2Lbs

Accessories (included)

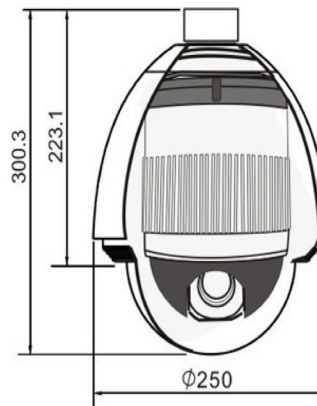
Heat Shroud
Heater/Blower(Fan)
Wall Mount (10.75inches)

Certifications

IP66 /NEMA 4X
IEEE-802.3af/at

Model Number

PoE-H-HB-D-C5



Cisco Ecosystem
Provider



PoE Technologies

PO Box 21194 Bradenton, FL 34204

www.poetechnologies.com 941.296.7093 office 360.925.2288 fax